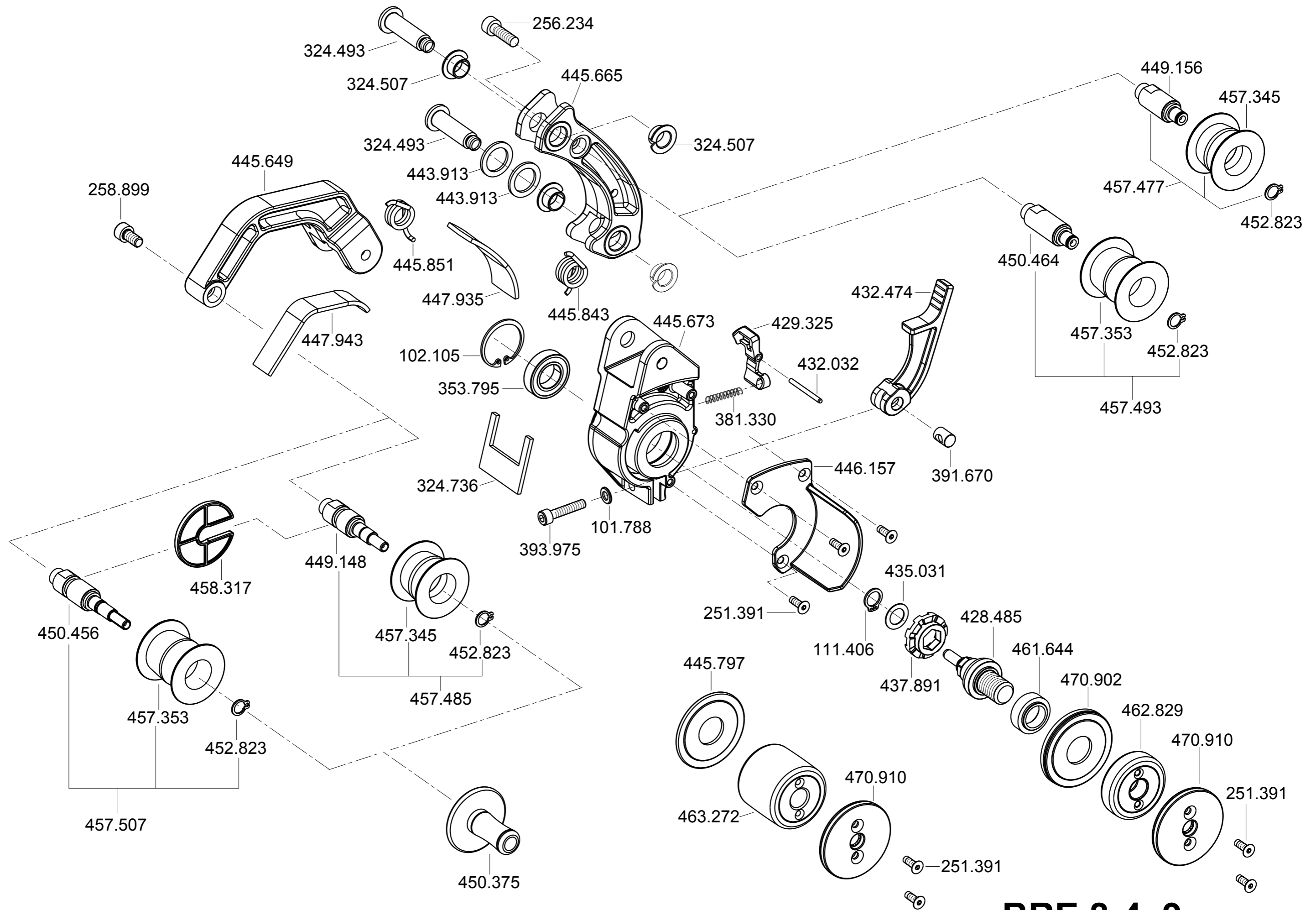


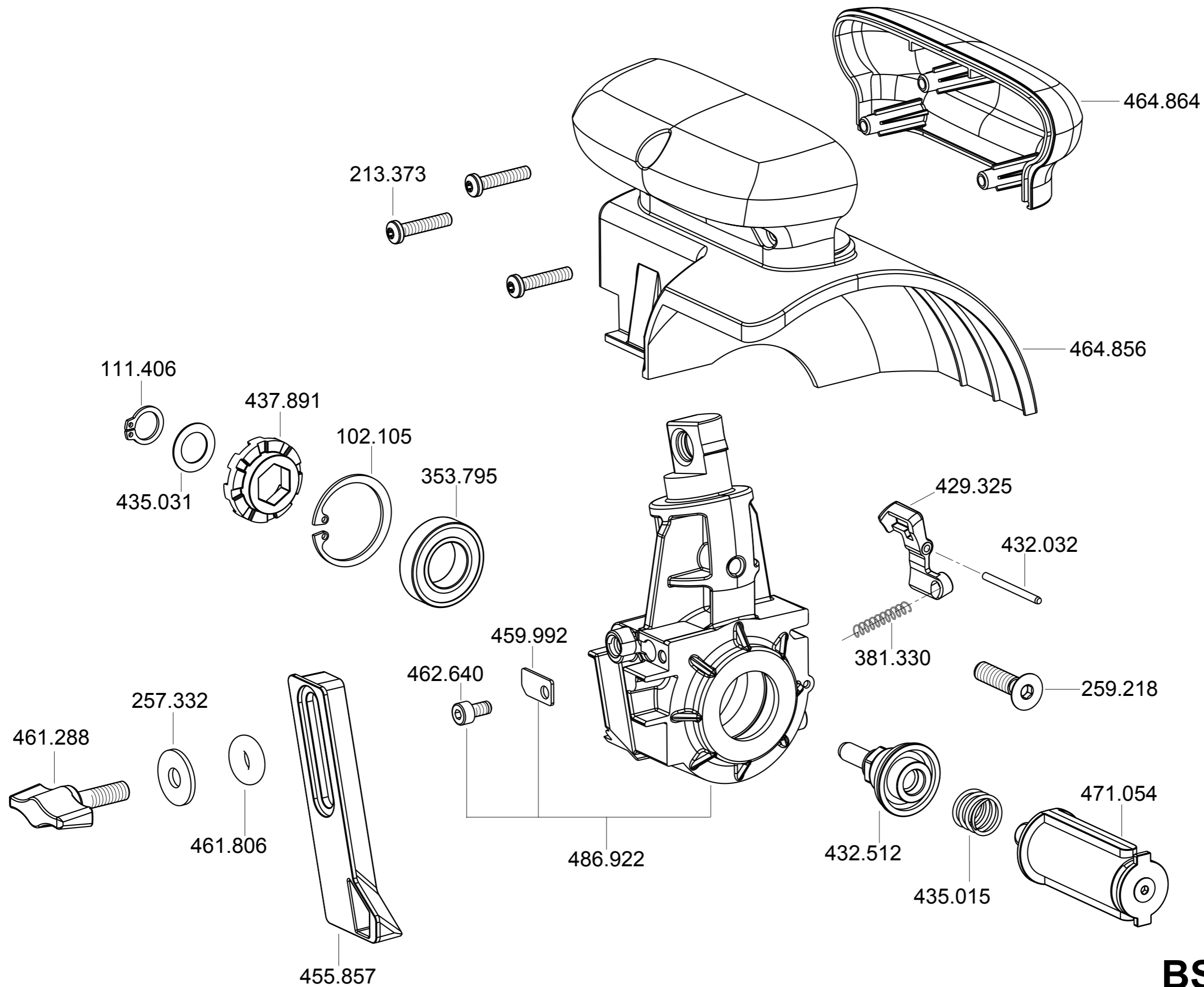
BME 8-4
BRE 8-4
BSE 8-4
FBE 8-4

230/CEE



BRE 8-4 9

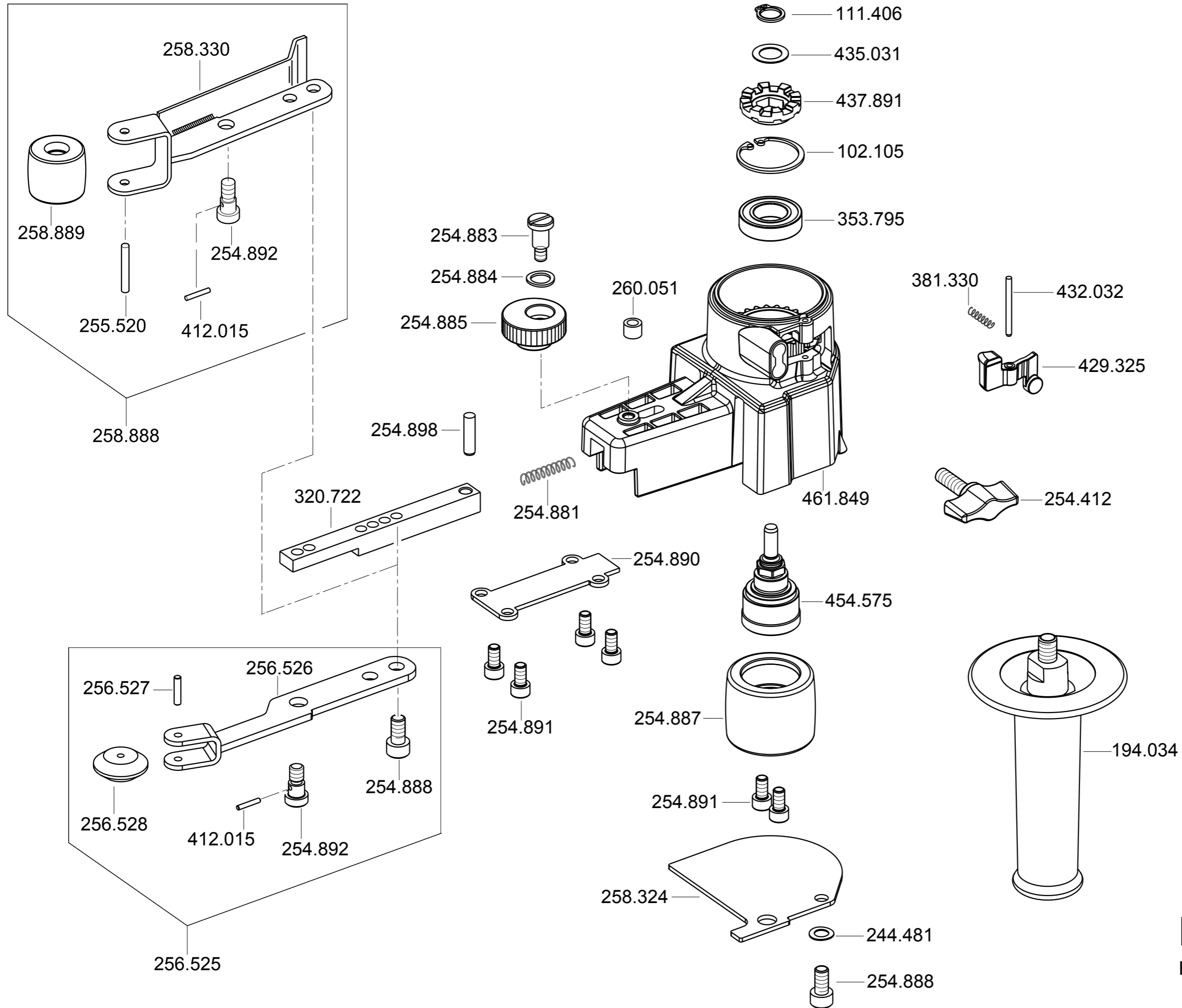
ETL-Nr. 455.393 Stand 04/18
Blatt 2



BSE 8-4 9

ETL-Nr. 455.393 Stand 02/19

Blatt 3



FBE 8-4 140

ETL-Nr. 455.393 Stand 12/18
Blatt 4