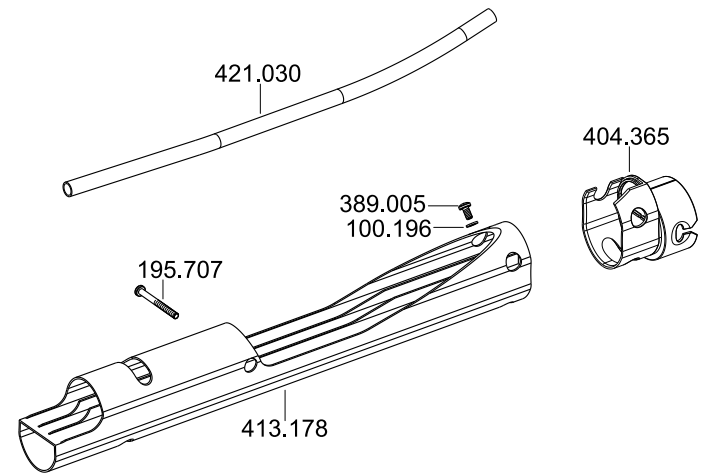
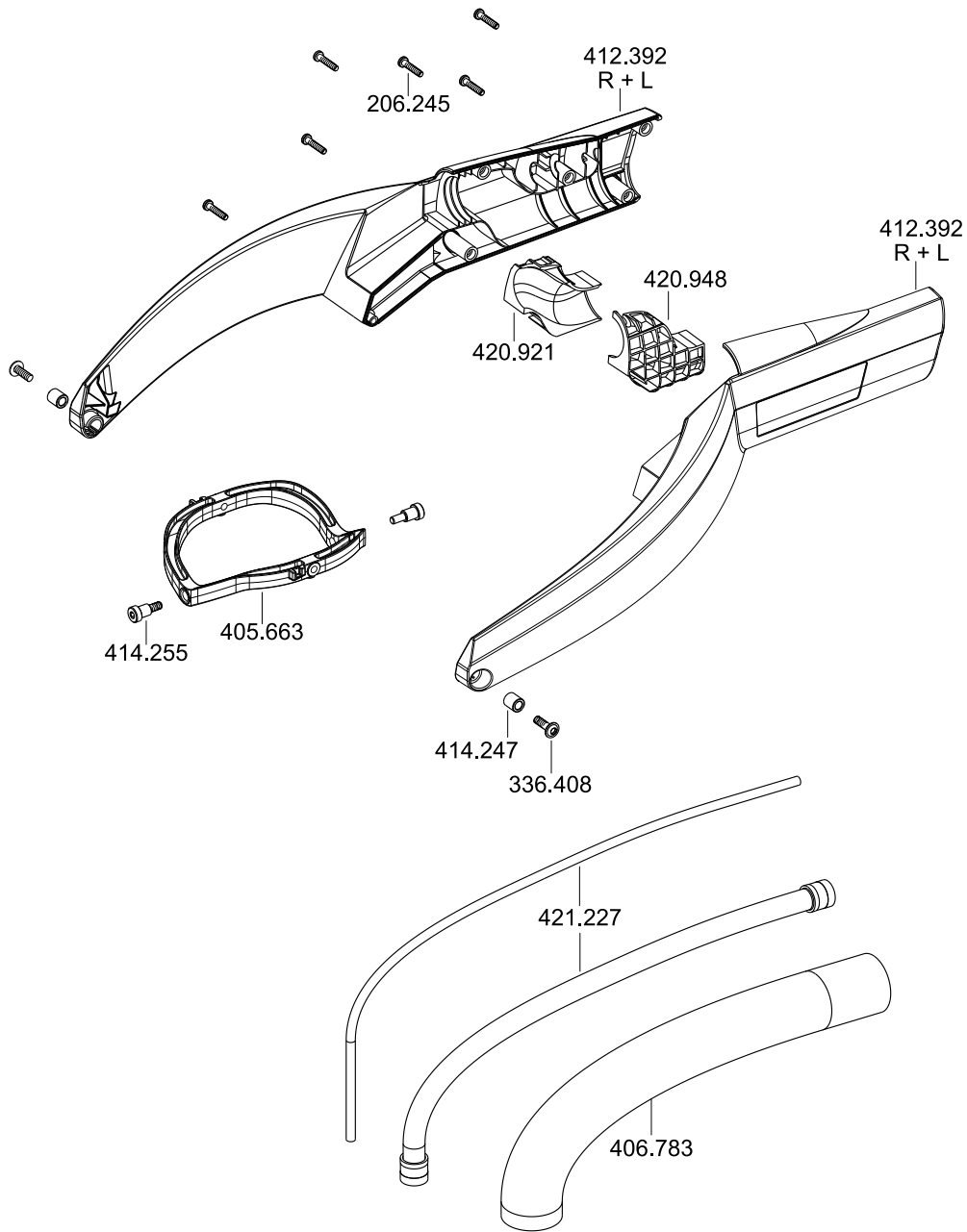


GSE 5 R

Teile-Nr. 421.189 Blatt 1
Stand 01/19

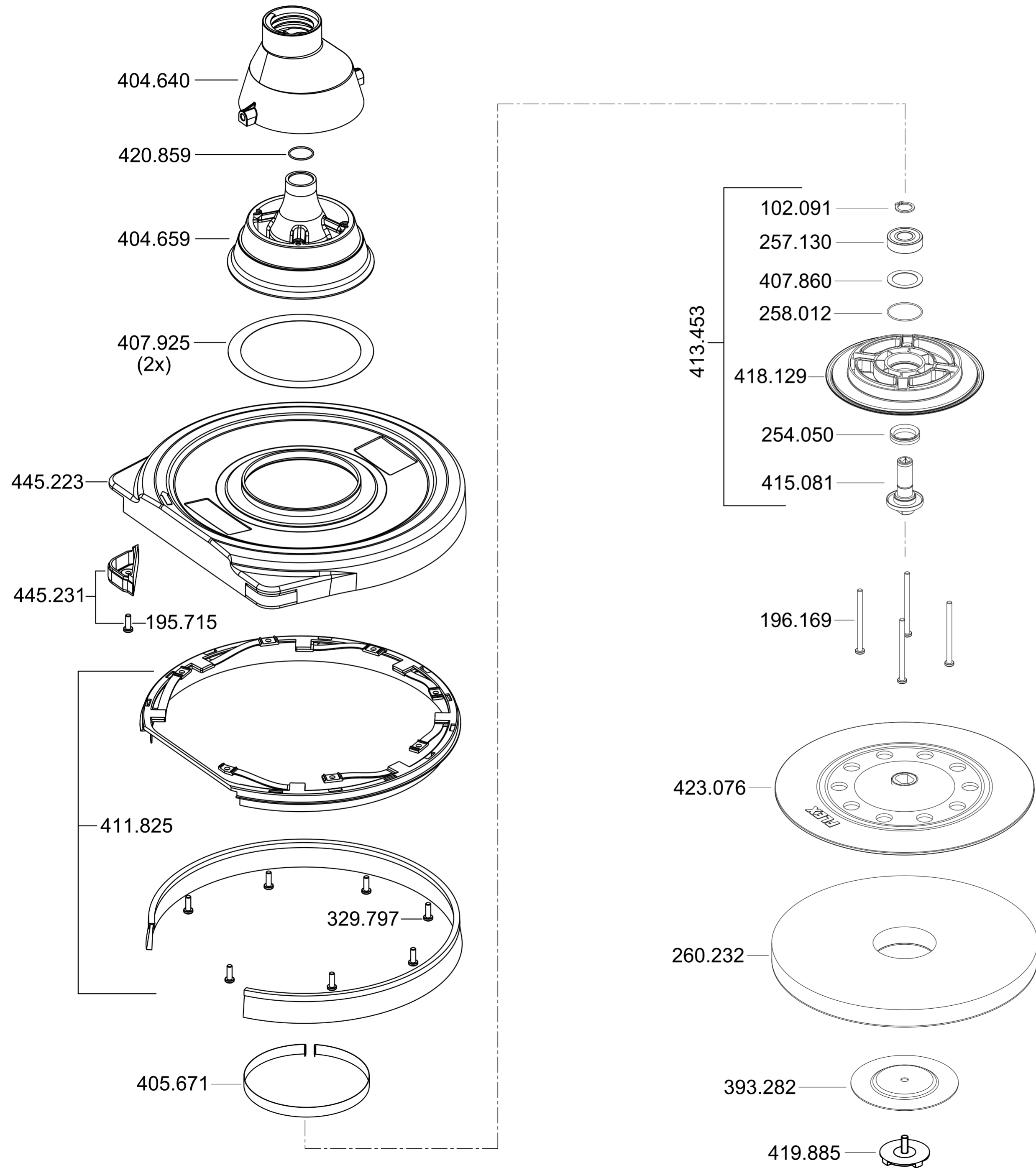


10 g
Fett
(40g) — 376.604

flexible
Welle

GSE 5 R
Teile-Nr. 421.189 Blatt 2
Printed in Germany 12/15

Randnahschleifkopf GSE 5 R



GSE 5 R

Teile-Nr. 421.189 Blatt 3
Stand 07/18